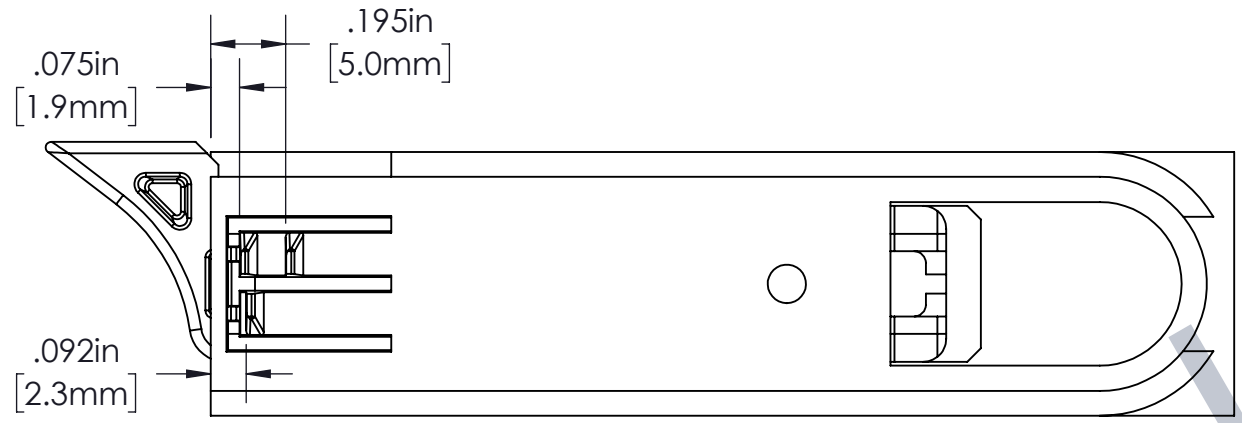
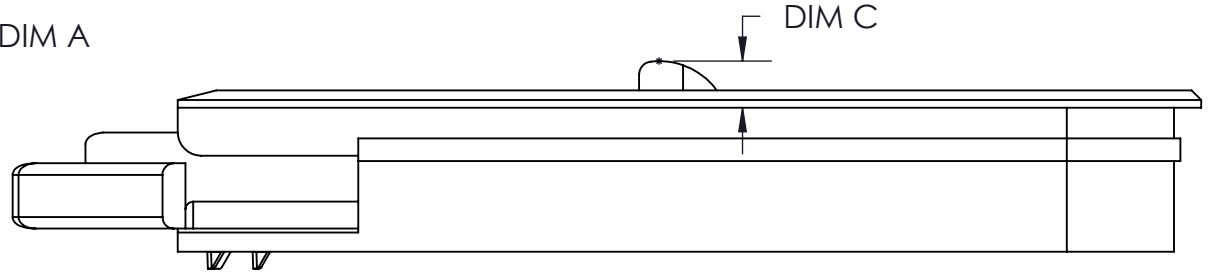
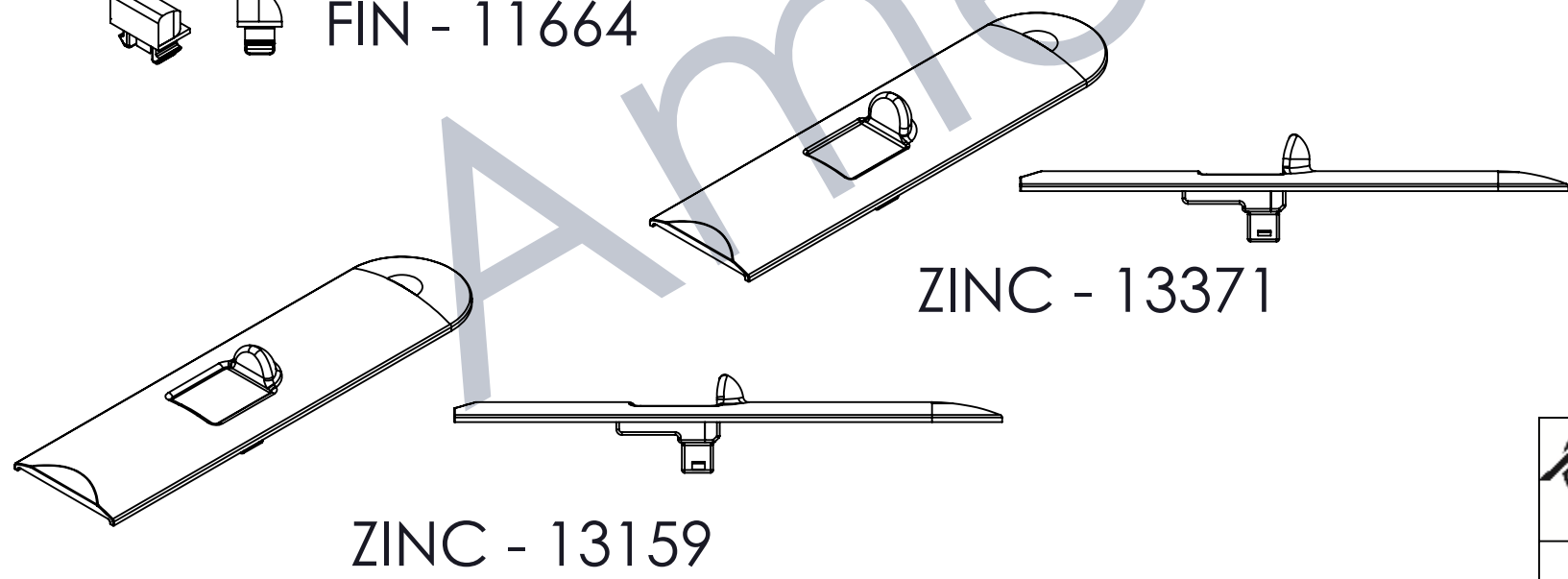


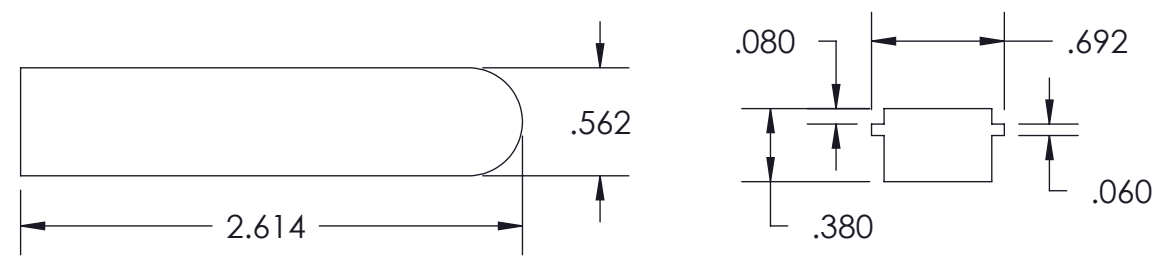
LH PART NO	RH PART NO	DIM A	DIM B	DIM C	THUMB BUTTON	NOSE
SQL-P37F	SQR-P37F	.373	.430	.121	FIN	LARGE
KQP37C01		.373	.430	.278	ZINC- 13159	LARGE
SQL-P37C	SQR-P37C	.373	.430	.328	ZINC - 13371	LARGE



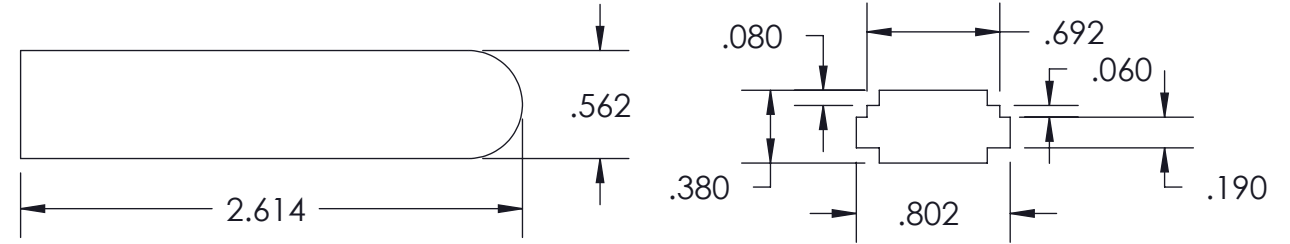
THUMB BUTTON VISUALS
SCALE = 1:1



SMALL NOSE FABRICATION



LARGE NOSE FABRICATION



CUSTOMER PAGE

<p>Amesbury Truth Engineered Solutions. Trusted Results.</p> <p>THE INFORMATION CONTAINED IN THIS DRAWING IS CONFIDENTIAL AND PROPRIETARY. THIS DRAWING IS NOT TO BE COPIED OR REPRODUCED IN WHOLE OR IN PART WITHOUT EXPRESS WRITTEN PERMISSION.</p>	<p>INTERPRET PER: ASME Y14.5M-2009</p> <p>UNITS: INCH</p>	<p>DRAWING TITLE: FLEX-FIT_SQUARE BODY_SCALLOP NOSE</p>
	<p>THIRD ANGLE PROJECTION</p>	<p>SCALE: 2:1</p> <p>DRAWING #:</p>